

# PRO 600 SERIES



**PRO**  
600 SERIES

**Type:** Soft-Close, Full Extension Concealed Undermount Slides

**Weight Rating:** 100 lbs. Dynamic

**Material:** Cold Rolled Steel

**Hole Pattern:** 32mm

**Finish:** Zinc

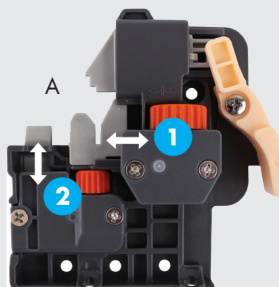
**Industry Rated:** BHMA, KCMA, BIFMA, ANSI

- Front roller allows for a smoother, quieter operation and dramatically reduces deflection when fully extended
- Soft-close piston is larger and more robust, capable of handling even greater impact with a fully loaded drawer.
- 4-way and 6-way adjustment front locking devices available
- Soft-close activated at 2 inches, the longest in the industry
- Slotted mounting holes for depth adjustment, ideal for inset applications.

Item #	Size	Box Qty
DSPRO600-12	12"	6
DSPRO600-15	15"	6
DSPRO600-18	18"	6
DSPRO600-21	21"	6

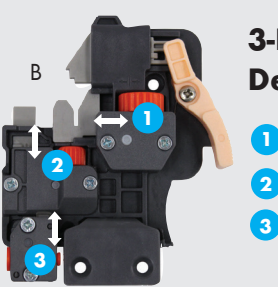
DSPRO600 Accessories			
	Item #	Item #	Box Qty
A	Left Hand 2-D Front Locking Device	DSPRO6002DCLIP-L	120
	Right Hand 2-D Front Locking Device	DSPRO6002DCLIP-R	120
B	Left Hand 3-D Front Locking Device	DSPRO6003DCLIP-L	120
	Right Hand 3-D Front Locking Device	DSPRO6003DCLIP-R	120
C	Rear Metal Face Frame Bracket	DSPRO600-RB	180

## Accessories Sold Separately




**2-D Front Locking Device**

- 1 Side: +1.5mm
- 2 Up & Down: 0 - 3mm



**3-D Front Locking Device**

- 1 Side: +1.5mm
- 2 Up & Down: 0 - 3mm
- 3 Depth: 0 - 3.5mm



**Rear Brackets**

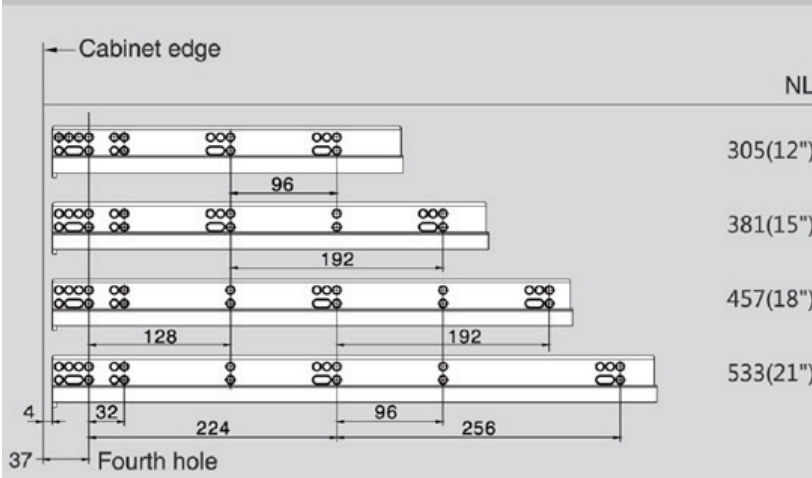
**Würth Baer Supply**

[www.wurthbaersupply.com](http://www.wurthbaersupply.com) • 800-289-2237 • Fax: 888-558-2237

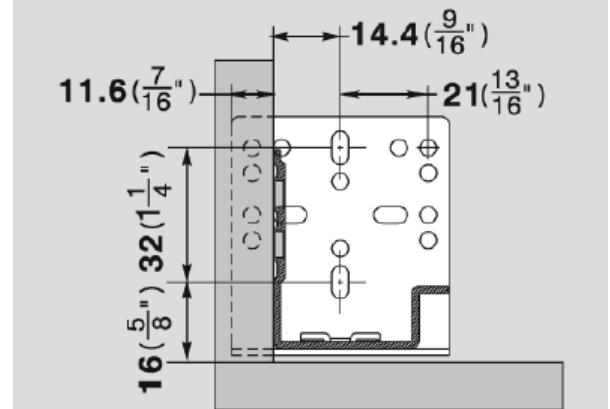
**OPT-OUT INFORMATION:** You may request Würth Baer Supply not to send any future advertisements to a telephone facsimile machine or machines. Failure to comply with such a request in the form prescribed by law, within the shortest time prescribed by law not to exceed 30 days, is unlawful. If you wish to discontinue future fax advertisements from Würth Baer Supply, Please send your request by Email to: [creditreference@wurthbaersupply.com](mailto:creditreference@wurthbaersupply.com), or by Fax to: 847-613-3333 or by Calling: 800-289-2237. Your request should specify the telephone numbers or numbers of each telephone facsimile machine to which the request relates.

# PRO 600 SERIES

## Screw Positions of the Slides(mm)

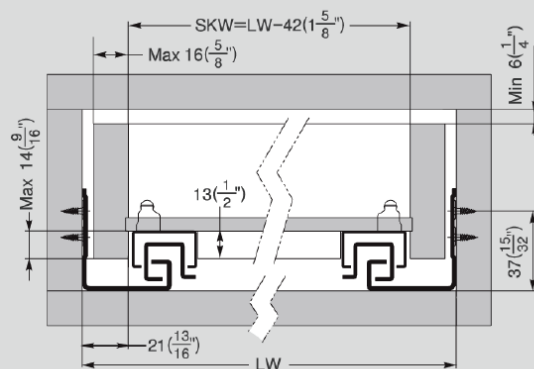


## Metal Rear Mounting Bracket



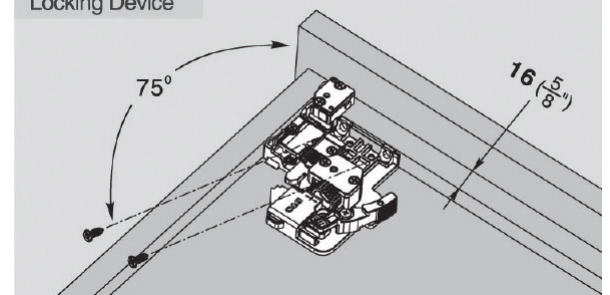
## Installation Dimensions(mm)

LW=Internal Cabinet Width

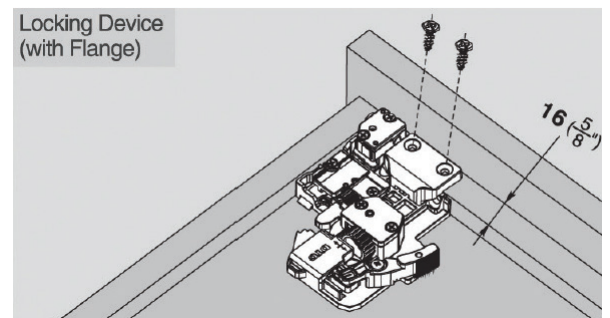


Drawer length	Runner length	Internal Cabinet Depth	
		Max	Min
229(9")	256( $10\frac{1}{2}$ "	298( $11\frac{3}{4}$ "	283( $11\frac{1}{8}$ "
305(12")	317( $12\frac{1}{2}$ "	369( $14\frac{9}{16}$ "	326( $12\frac{7}{8}$ "
381(15")	394( $15\frac{1}{2}$ "	446( $17\frac{9}{16}$ "	403( $15\frac{7}{8}$ "
457(18")	470( $18\frac{1}{2}$ "	522( $20\frac{9}{16}$ "	479( $18\frac{7}{8}$ "
533(21")	546( $21\frac{1}{2}$ "	598( $23\frac{9}{16}$ "	555( $21\frac{7}{8}$ "

## Locking Device



## Locking Device (with Flange)



**Würth Baer Supply**

[www.wurthbaersupply.com](http://www.wurthbaersupply.com) • 800-289-2237 • Fax: 888-558-2237

**OPT-OUT INFORMATION:** You may request Würth Baer Supply not to send any future advertisements to a telephone facsimile machine or machines. Failure to comply with such a request in the form prescribed by law, within the shortest time prescribed by law not to exceed 30 days, is unlawful. If you wish to discontinue future fax advertisements from Würth Baer Supply, Please send your request by Email to: [creditreference@wurthbaersupply.com](mailto:creditreference@wurthbaersupply.com), or by Fax to: 847-613-3333 or by Calling: 800-289-2237. Your request should specify the telephone numbers or numbers of each telephone facsimile machine to which the request relates.