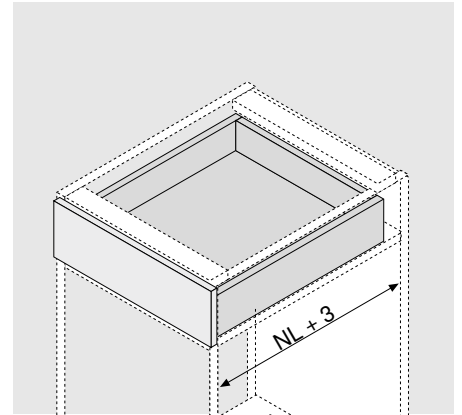
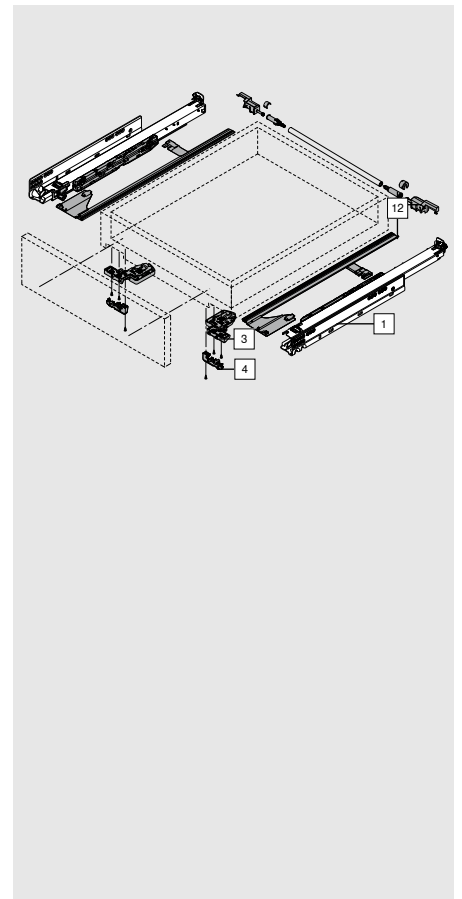


760H/766H – drawer/inner drawer


- Concealed full extension
- Includes integrated, switchable BLUMOTION S for soft and effortless closing, and can be combined with SERVO-DRIVE or TIP-ON BLUMOTION
- Synchronized feather-light glide
- BLUMATIC self-closing feature
- Tool-free side, height and tilt adjustment
- Optional tool-free depth adjustment
- Built-in width and depth tolerance compensation


Ordering information

1	Runners left/right		
	NL (mm)	BLUMOTION S*	
		40 kg	70 kg
	250**	760H2500S	
	270	760H2700S	
	300	760H3000S	
	350	760H3500S	
	400	760H4000S	
	450	760H4500S	766H4500S
	500	760H5000S	766H5000S
	550	760H5500S	766H5500S
	600	760H6000S	766H6000S
	650		766H6500S
	700***		766H7000S
750***		766H7500S	



* Suitable for SERVO-DRIVE and TIP-ON BLUMOTION

** Cannot be used in combination with TIP-ON BLUMOTION

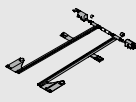
*** Load bearing class: 60 kg

2	Locking device left/right	
	Material	Nylon/steel
	Colour	Orange
	Left/right must be ordered separately	T51.7601

4	Depth adjustment left/right (optional)	
	Material	Nylon
	Colour	RAL 7037 dust grey
		298.7600
Only for inset applications for MOVENTO with BLUMOTION. Integrated SERVO-DRIVE bumper.		

760H/766H – drawer/inner drawer

Accessories

12	Side stabilizer set	
	For KB 1400 mm for cutting to size	
	For NL up to (mm)	
	750	ZS7M750MU
	Shaft cutting dimensions: Internal cabinet width (LW) – 315 mm	
Gear rack cutting: NL + 10 mm		

NL Nominal length