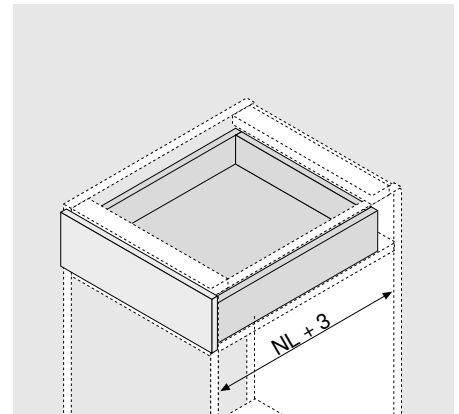


**760H – drawer/inner drawer – base fixing**

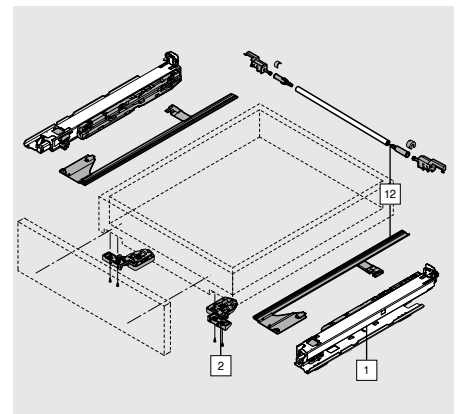


- Concealed full extension
- Includes integrated, switchable BLUMOTION S for soft and effortless closing, and can be combined with SERVO-DRIVE or TIP-ON BLUMOTION
- Synchronized feather-light glide
- BLUMATIC self-closing feature
- Tool-free side, height and tilt adjustment
- Optional tool-free depth adjustment
- Built-in width and depth tolerance compensation
- For base fixing/ fixed shelf fixing



**Ordering information**

	<b>1 Left/right runners for base fixing</b>		<b>BLUMOTION S*</b>
	<b>NL (mm)</b>		<b>40 kg</b>
	500		<b>760H5000SU</b>
*Suitable for SERVO-DRIVE and TIP-ON BLUMOTION			

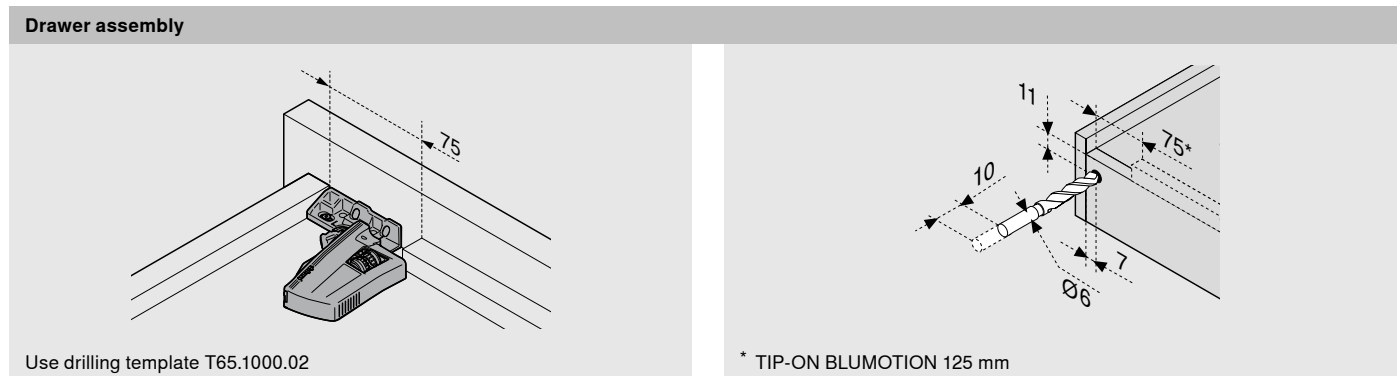
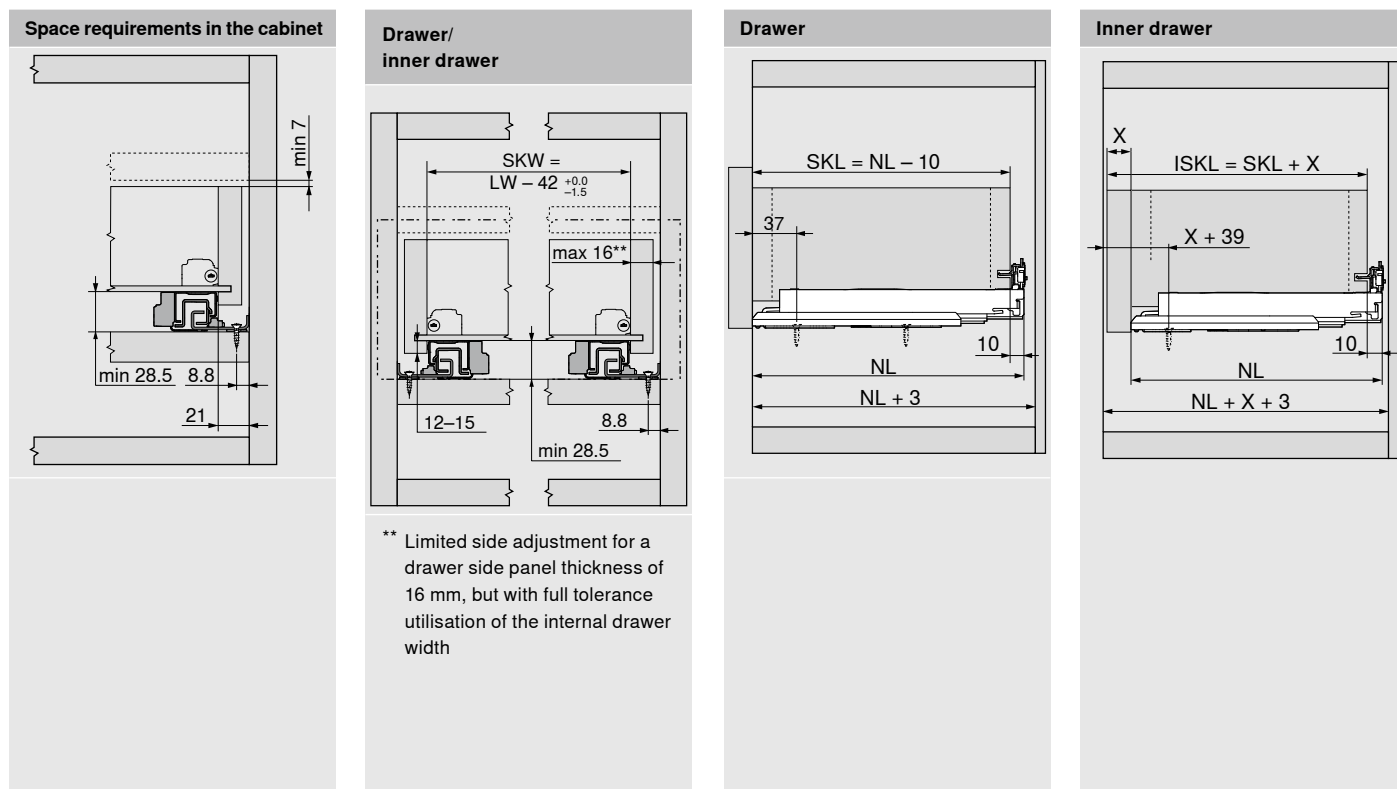


	<b>2 Locking device left/right</b>		
	<b>Material</b>	Nylon/steel	
	<b>Colour</b>	Orange	
	Left/right must be ordered separately		<b>T51.7601</b>

**Accessories**

	<b>12 Side stabilizer set</b>		
	For KB 1400 mm for cutting to size		
	<b>For NL up to (mm)</b>		
	750		<b>ZS7M750MU</b>
Shaft cutting dimensions: Internal cabinet width (LW) – 315 mm			
Gear rack cutting: NL + 10 mm			

NL Nominal length

**760H – drawer/inner drawer – base fixing**
**Planning**


ISKL Inner drawer length  
LW Internal cabinet width

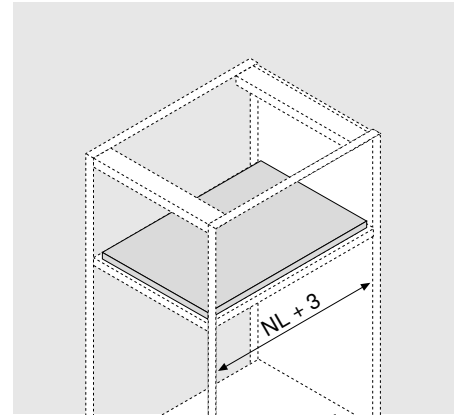
NL Nominal length  
SKL Drawer depth

SKW Internal drawer width  
X Front thickness

### 760H – pull-out shelf – base fixing

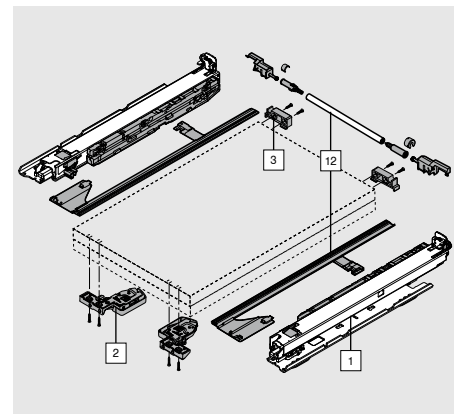


- Concealed full extension
- Includes integrated, switchable BLUMOTION S for soft and effortless closing, and can be combined with SERVO-DRIVE or TIP-ON BLUMOTION
- Synchronized feather-light glide
- BLUMATIC self-closing feature
- Tool-free side, height and tilt adjustment
- Optional tool-free depth adjustment
- Built-in width and depth tolerance compensation
- For base fixing/ fixed shelf fixing
- Cannot be combined with pull-out shelf lock



### Ordering information

	<b>1 Left/right runners for base fixing</b>		<b>BLUMOTION S*</b>
	NL (mm)		40 kg
	500		<b>760H5000SU</b>
	*Suitable for SERVO-DRIVE and TIP-ON BLUMOTION		



	<b>2 Locking device left/right</b>		
	Material	Nylon/steel	
	Colour	Orange	
	Left/right must be ordered separately		<b>T51.7601</b>

	<b>3 Back fixing bracket</b>		
	Material	Nylon	
	Colour	Natural	
			<b>T51.7000.01</b>

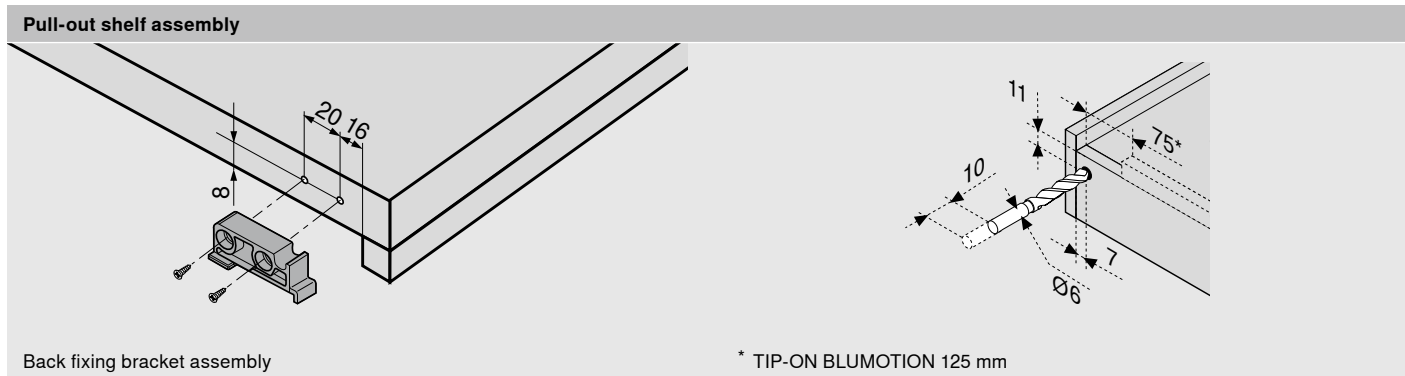
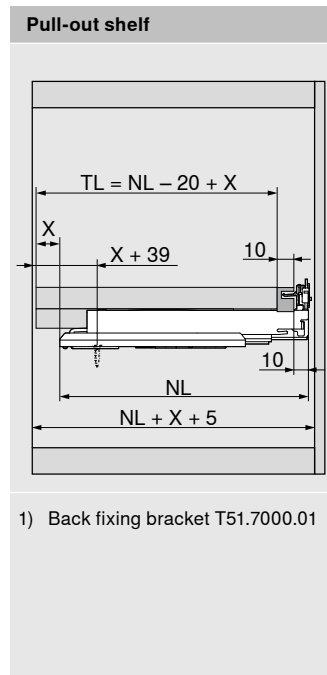
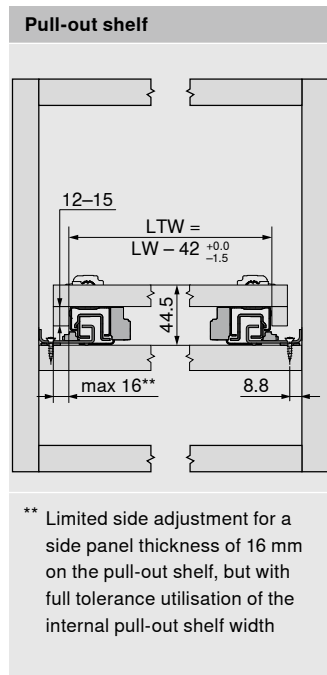
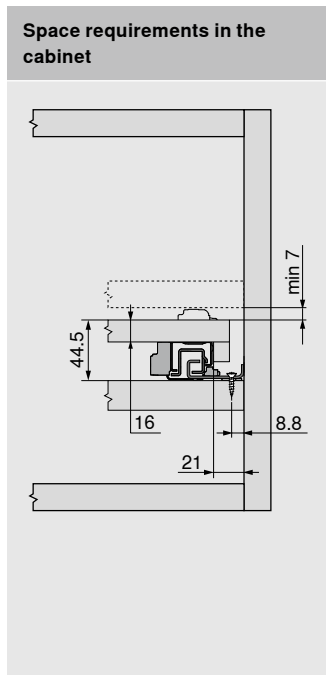
### Accessories

	<b>12 Side stabilizer set</b>		
	For KB 1400 mm for cutting to size		
	<b>For NL up to (mm)</b>		
	750		<b>ZS7M750MU</b>
	Shaft cutting dimensions: Internal cabinet width (LW) – 315 mm		
Gear rack cutting: NL + 10 mm			

NL Nominal length

## 760H – pull-out shelf – base fixing

### Planning



LTW Internal pull-out shelf width  
 LW Internal cabinet width

NL Nominal length  
 TL Pull-out shelf length

X Pull-out shelf front piece