

CLIP 100°

Hinges



Features

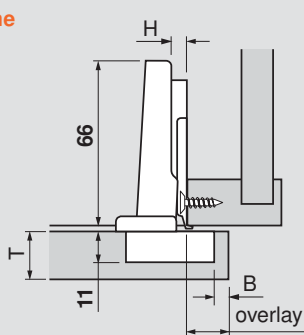
- Three-dimensional adjustment
- Available with INSERTA attachment
- For door thicknesses up to **24** (15/16")
- All metal hinge, nickel-plated
- Add-on BLUMOTION soft close available

Minimum reveal table						
3	0.5	0.9	1.1	1.4	2.3	3.6
4	0.5	0.8	1.0	1.3	2.0	3.3
5	0.4	0.8	1.0	1.2	1.8	3.0
6	0.4	0.8	0.9	1.1	1.7	2.8
B = boring distance	16	18	19	20	22	24
	T = door thickness					

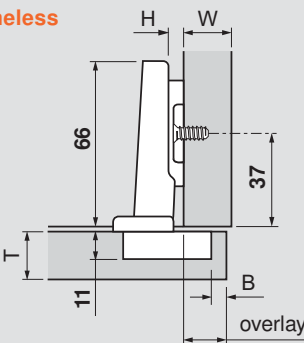
Thickness greater than **24** trial recommended

Overlay

Frame

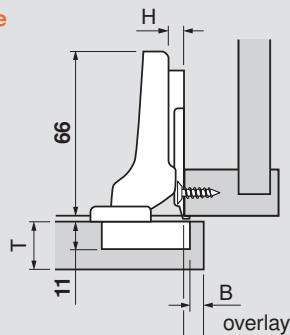


Frameless

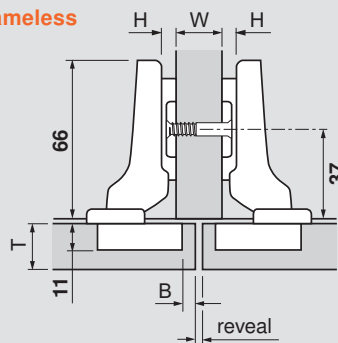


Partial/twin overlay

Frame

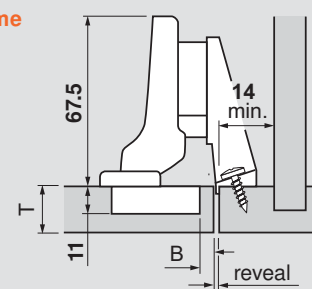


Frameless



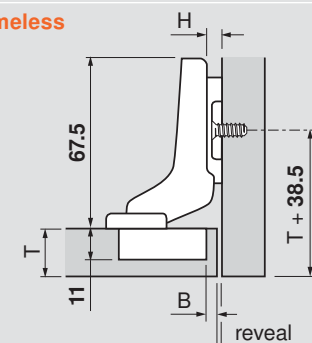
Inset

Frame



NOTE: This application uses a half-cranked hinge and mounting plate 175H5030.21

Frameless



H	Overlay					P	S
0	14	15	16	17	9	20	
3	11	12	13	14	12	23	
4.5	9.5	10.5	11.5	12.5	13.5	24.5	
6	8	9	10	11	15	26	
9	5	6	7	8	18	29	
	3	4	5	6	Fixed distance = 11		
	B = boring distance						

NOTE: 4.5 plate is only for use in face frame cabinets, 9 plate is only for frameless cabinets

H	Overlay				P	S
0	4.5	5.5	6.5	7.5	18.5	30
	3	4	5	6	Fixed distance = 1.5	
	B = boring distance					

H	Reveal				W	P	S
0	7	5	3	1	16	18.5	30
	10	8	6	4	19		
	13	11	9	7	22		
	3	4	5	6	B = boring distance		
	B = boring distance						

H	Reveal				P	S
0	4	3	2	1	27	38
	3	4	5	6	Fixed distance = -7	
	B = boring distance					

Abbreviations

H	=	Plate height
P	=	Door protrusion
S	=	Side arm protrusion
T	=	Door thickness
W	=	Side panel width

Straight-arm	Self close	Free swing
Screw-on	71M2550	70M2550.TL
Press-in	71M2580	70M2580.TL
INSERTA	71M2590B	

Half-cranked	Self close	Free swing
Screw-on	71M2650	70M2650.TL
Press-in	71M2680	
INSERTA	71M2690B	

Full-cranked	Self close	Free swing
Screw-on	71M2750	70M2750.TL
Press-in	71M2780	70M2780.TL
INSERTA	71M2790B	