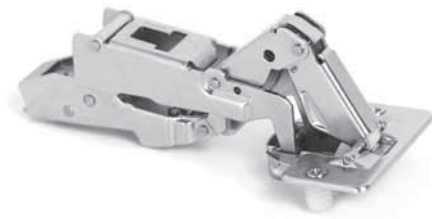


CLIP top 170°

Hinges



Features

- Three-dimensional adjustment
- Available with INSERTA attachment
- For door thicknesses up to 24 (15/16")
- 130° angle restriction clip available (70.6103)
- All metal hinge, nickel-plated
- Add-on BLUMOTION soft close available

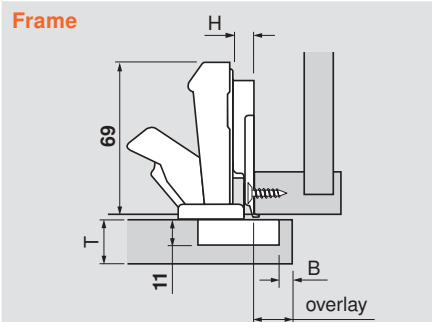
Minimum reveal table						
3	0	0	0	0	0.2	2.2
4	0	0	0	0	0	1.4
5	0	0	0	0	0	0.9
6	0	0	0	0	0	0
7	0	0	0	0	0	0
8	0	0	0	0	0	0
B = boring distance	16	18	19	20	22	24

T = door thickness

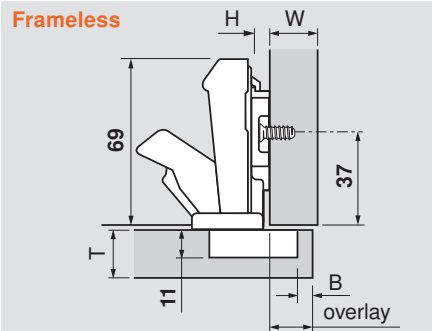
Thickness greater than 24 trial recommended

CLIP top

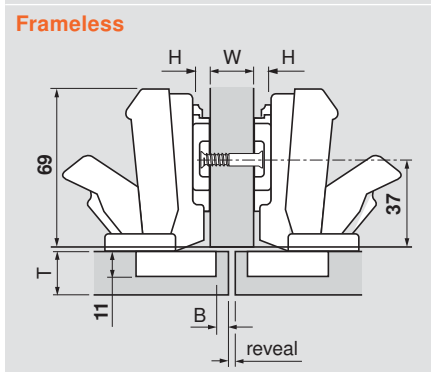
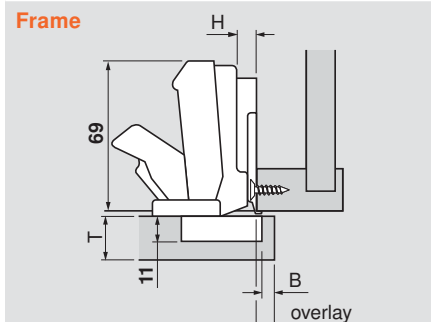
Overlay



NOTE: 175H6xxx or 175L6600.24 recommended

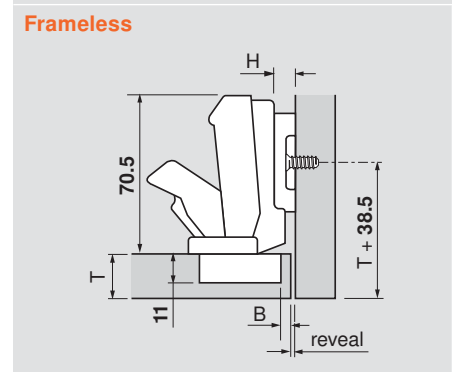


Partial/twin overlay



Inset

Inset application not recommended with 170° hinges and the inset face frame adapter (175H5030.21)



H	Overlay						P	S
0	14	15	16	17	18	19	1.5	65
3	11	12	13	14	15	16	4.5	68
4.5	9.5	10.5	11.5	12.5	13.5	14.5	6	69.5
6	8	9	10	11	12	13	7.5	71
9	5	6	7	8	9	10	10.5	74
	3	4	5	6	7	8	Fixed distance = 11	
	B = boring distance							

NOTE: 4.5 plate is only for use in face frame cabinets, 9 plate is only for frameless cabinets

H	Overlay						P	S
0	4.5	5.5	6.5	7.5	8.5	9.5	11	75
	3	4	5	6	7	8	Fixed distance = 1.5	
	B = boring distance							

H	Reveal						W	P	S
0	7	5	3	1	-	-	16	11	75
	10	8	6	4	2	0	19		
	13	11	9	7	5	3	22		
	3	4	5	6	7	8	B = boring distance		

H	Reveal						P	S
9	4.5	3.5	2.5	1.5	0.5	-	20	84
	3	4	5	6	7	8	Fixed distance = -7.5	
	B = boring distance							

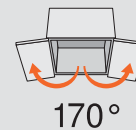
Abbreviations

H	=	Plate height
P	=	Door protrusion
S	=	Side arm protrusion
W	=	Side panel width

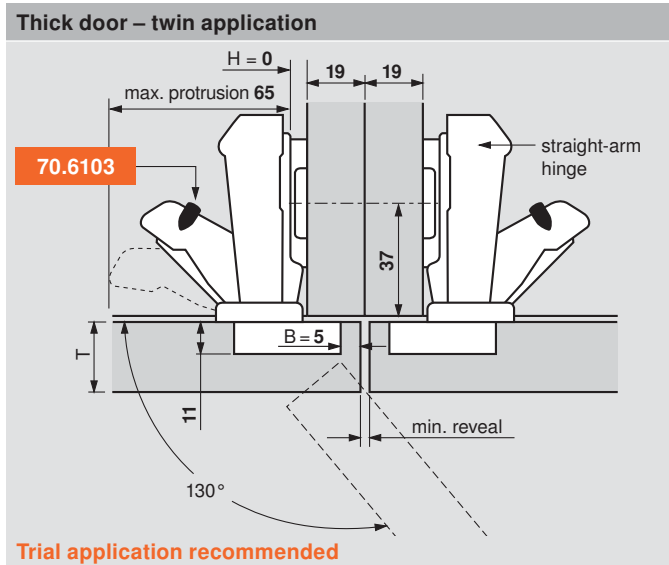
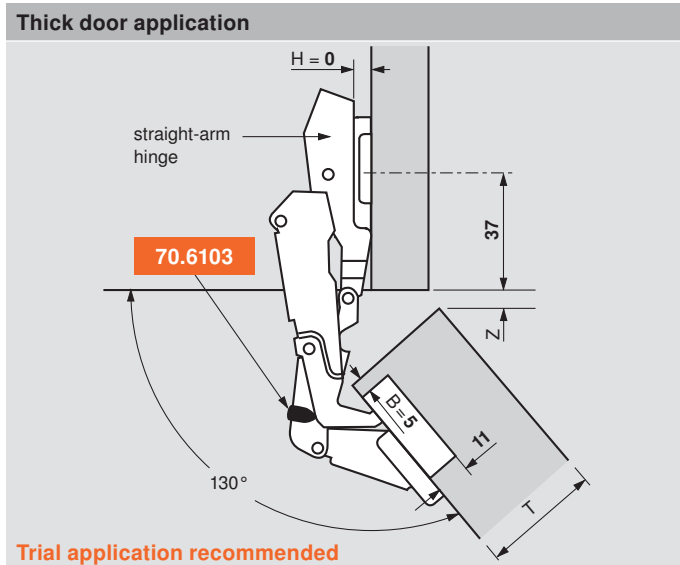
Straight-arm	Self close	Free swing
Screw-on	71T6550	70T6550.TL
Press-in	71T6580	
INSERTA	71T6540B	70T6540BTL

Half-cranked	Self close	Free swing
Screw-on	71T6650	70T6650.TL
Press-in	71T6680	
INSERTA	71T6640B	

Half-cranked	Self close	Free swing
Screw-on	71T6650	70T6650.TL
Press-in	71T6680	
INSERTA	71T6640B	



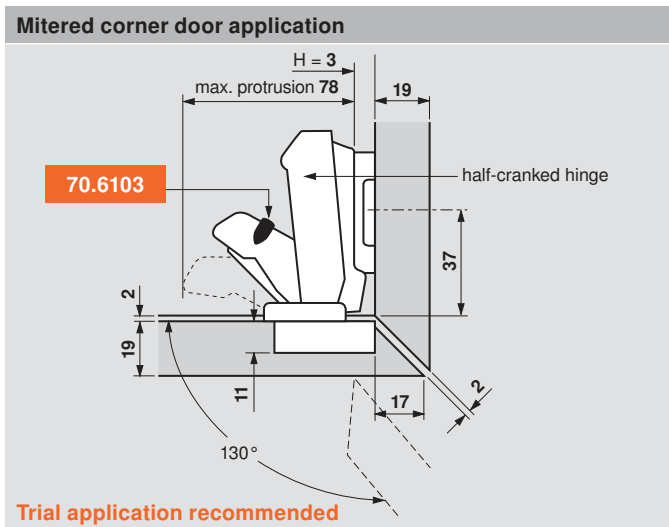
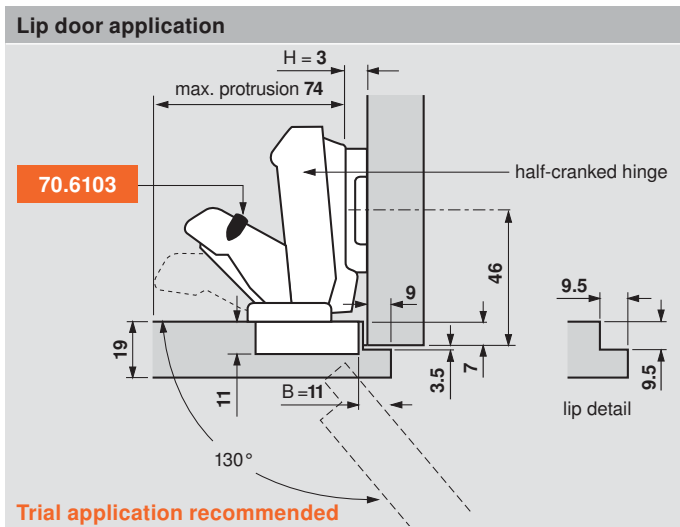
Straight-Arm Applications



Z = gap				
15.5	13	11	9.5	7.5
25	29	32	35	38
T = door thickness				

Minimum reveal table			
0	6.5	14.5	21
22	25	29	32
T = door thickness			

Half-Cranked Applications



NOTE: Special applications can be achieved in face frame cabinets by blocking out behind the frame or use of the new CLIP wing plates (pages 62-63)

Angle restriction clip

- Reduces opening angle of the CLIP top 170° to 130°
- Installs quickly, easily and tool-free
- Black nylon

Part no. **70.6103**

Angle restriction clip

BLUMOTION for 170° hinge

Hinge	X	S
CLIP top 170° straight-arm	49	65
CLIP top 170° half-cranked	68	75

Part no. **973A6000**

BLUMOTION for 170° hinge