



PRO

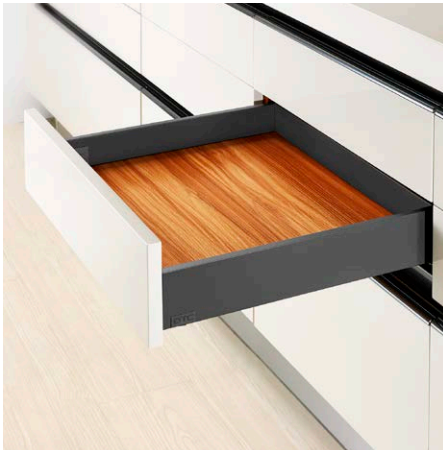
C O N C E P T

MODERN DRAWER SYSTEM

McFadden's
MEMBER OF THE WÜRTH  GROUP

 **WÜRTH**

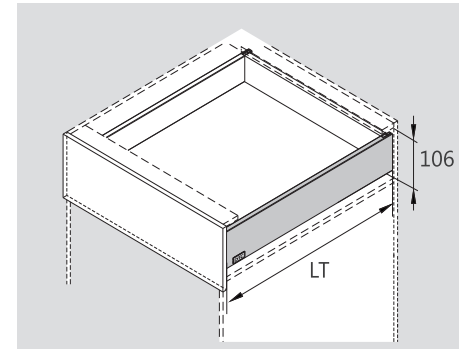
M-HEIGHT DRAWER KIT



DESCRIPTION

- Soft close, concealed, full extension runners
- Dynamic load capacity: 40/60kg
- Tool free assembly and removal of drawer
- Silent system guarantees smooth run without noise
- 3D adjustment: Up & down adjustment: ± 2 mm, left & right adjustment: ± 1.5 mm, tilt adjustment: $+1.5, -2.5$ mm
- Full Kitted Drawer system in one box
- Interior drawer parts available separately
- Available finishes: Gray Matt and Silk White

SPACE REQUIREMENT



LT=Internal Cabinet Depth
LT=NL+3

SYSTEM LENGTH	GRAY MATT	SILK WHITE
	ITEM #	ITEM #
270 mm	DS.PROCON.M.11.GR	DS.PROCON.M.11.WH
300 mm	DS.PROCON.M.12.GR	DS.PROCON.M.12.WH
350 mm	DS.PROCON.M.14.GR	DS.PROCON.M.14.WH
400 mm	DS.PROCON.M.16.GR	DS.PROCON.M.16.WH
450 mm	DS.PROCON.M.18.GR	DS.PROCON.M.18.WH
500 mm	DS.PROCON.M.20.GR	DS.PROCON.M.20.WH
550 mm	DS.PROCON.M.22.GR	DS.PROCON.M.22.WH

INCLUDED IN THE KIT

- Soft-close slides (left/right)
- Drawer sides and cover caps (left/right)
- Back fixing brackets (left/right)
- Front fixing brackets (left/right)

M-HEIGHT OPTIONAL ACCESSORIES

ACCESSORIES FOR LOW INNER DRAWER



DESCRIPTION	GRAY MATT	SILK WHITE
	ITEM #	ITEM #
Front section for inner drawer	DS.PROCON.IDF.GR	DS.PROCON.IDF.WH
Front fixing bracket set (left/right)	DS.PROCON.M.FFB.GR	DS.PROCON.M.FFB.WH

ACCESSORIES FOR LOW INNER DRAWER WITH GLASS FRONT



DESCRIPTION	GRAY MATT	SILK WHITE
	ITEM #	ITEM #
Front section for inner drawer / glass front	DS.PROCON.FRONT.GR	DS.PROCON.FRONT.WH
Front fixing bracket set (left/right)	DS.PROCON.M.FFB.GR	DS.PROCON.M.FFB.WH
Low Inner Drawer Front - Clear glass	DS.PROCON.CLRGL.CL	DS.PROCON.CLRGL.CL

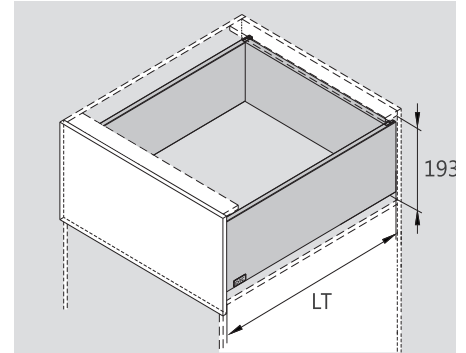
C-HEIGHT DRAWER KIT

DESCRIPTION



- Soft close, concealed, full extension runners
- Dynamic load capacity: 40/60kg
- Tool free assembly and removal of drawer
- Silent system guarantees smooth run without noise
- 3D adjustment: Up & down adjustment: ± 2 mm, left & right adjustment: ± 1.5 mm, tilt adjustment: $+1.5, -2.5$ mm
- Full Kitted Drawer system in one box
- Interior drawer parts available separately
- Available finishes: Gray Matt and Silk White

SPACE REQUIREMENT



LT=Internal Cabinet Depth
LT=NL+3

	GRAY MATT	SILK WHITE
SYSTEM LENGTH	ITEM #	ITEM #
270 mm	DS.PROCON.C.11.GR	DS.PROCON.C.11.WH
300 mm	DS.PROCON.C.12.GR	DS.PROCON.C.12.WH
350 mm	DS.PROCON.C.14.GR	DS.PROCON.C.14.WH
400 mm	DS.PROCON.C.16.GR	DS.PROCON.C.16.WH
450 mm	DS.PROCON.C.18.GR	DS.PROCON.C.18.WH
500 mm	DS.PROCON.C.20.GR	DS.PROCON.C.20.WH
550 mm	DS.PROCON.C.22.GR	DS.PROCON.C.22.WH

INCLUDED IN THE KIT

- Soft-close slides (left/right)
- Drawer sides and cover caps (left/right)
- Back fixing brackets (left/right)
- Front fixing brackets (left/right)

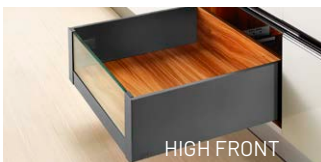
C-HEIGHT OPTIONAL ACCESSORIES

ACCESSORIES FOR HIGH INNER DRAWER WITH SQUARE CROSS RAIL



	GRAY MATT	SILK WHITE
DESCRIPTION	ITEM #	ITEM #
Front section for inner drawer	DS.PROCON.IDF.GR	DS.PROCON.IDF.WH
Front fixing bracket set (left/right)	DS.PROCON.C.FFB.GR	DS.PROCON.C.FFB.WH
Drawer Front Cross Rail	DS.PROCON.IDFU.GR	DS.PROCON.IDFU.WH

ACCESSORIES FOR HIGH INNER DRAWER WITH GLASS FRONT



	GRAY MATT	SILK WHITE
DESCRIPTION	ITEM #	ITEM #
Front section for glass front	DS.PROCON.FRONT.GR	DS.PROCON.FRONT.WH
Front fixing brackets for low glass (left/right)	DS.PROCON.C.FLG.GR	DS.PROCON.C.FLG.WH
Low Inner Drawer Front - Clear glass	DS.PROCON.CLRGL.CL	DS.PROCON.CLRGL.CL
Front fixing brackets for high glass (left/right)	DS.PROCON.C.FHG.GR	DS.PROCON.C.FHG.WH
High Inner Drawer Front - Clear glass	DS.PROCON.CLRGL.C	DS.PROCON.CLRGL.C

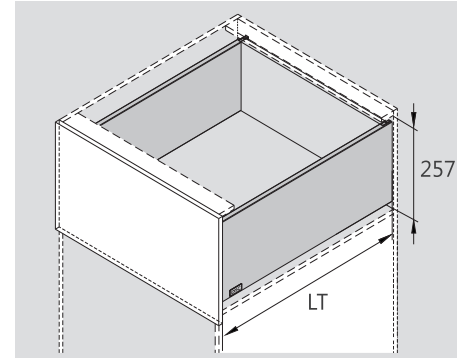
F-HEIGHT DRAWER KIT



DESCRIPTION

- Soft close, concealed, full extension runners
- Dynamic load capacity: 40/60kg
- Tool free assembly and removal of drawer
- Silent system guarantees smooth run without noise
- 3D adjustment: Up & down adjustment: ± 2 mm, left & right adjustment: ± 1.5 mm, tilt adjustment: $+1.5, -2.5$ mm
- Full Kitted Drawer system in one box
- Interior drawer parts available separately
- Available finishes: Gray Matt and Silk White

SPACE REQUIREMENT



LT=Internal Cabinet Depth
LT=NL+3

	GRAY MATT	SILK WHITE
SYSTEM LENGTH	ITEM #	ITEM #
450 mm	DS.PROCON.F.18.GR	DS.PROCON.F.18.WH
500 mm	DS.PROCON.F.20.GR	DS.PROCON.F.20.WH
550 mm	DS.PROCON.F.22.GR	DS.PROCON.F.22.WH

INCLUDED IN THE KIT

- Soft-close slides (left/right)
- Drawer sides and cover caps (left/right)
- Back fixing brackets (left/right)
- Front fixing brackets (left/right)

MATCHING TFL

- Colour matches for drawer bottoms and backs

DESCRIPTION	SIZE	THICKNESS	ITEM #	MATCH FOR
Panolam S565 Storm	4' x 8'	5/8"	MLM..56510..32	PRO Concept - Gray Matt
Arauco W300 White, Velvet Finish	4' x 8'	5/8"	MLW..30010....32V	PRO Concept - Silk White

OUR LOCATIONS

Oakville, ON	1-800-268-0942
Vaughan, ON	1-888-760-2660
Peterborough, ON	705-742-2154
Ottawa, ON	1-800-807-8751
Montréal, QC	1-888-262-3233
Québec City, QC	581-701-2237
Moncton, NB	1-866-663-0166
Dartmouth, NS	902-466-3355
St. John's, NL	709-738-6931

McFadden's
MEMBER OF THE WÜRTH GROUP

www.mcfaddens.com